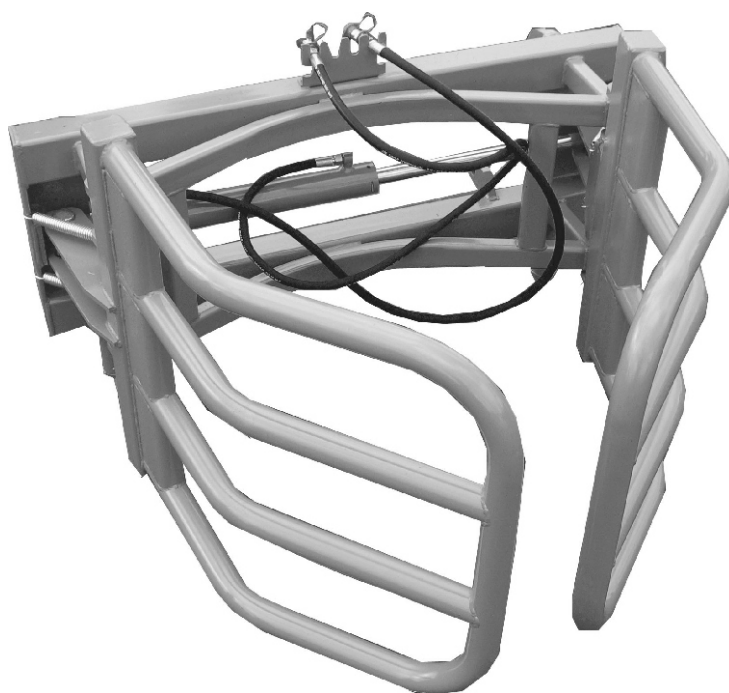




Katalog części zamiennych  
Spare parts list  
Ersatzteile katalog

---

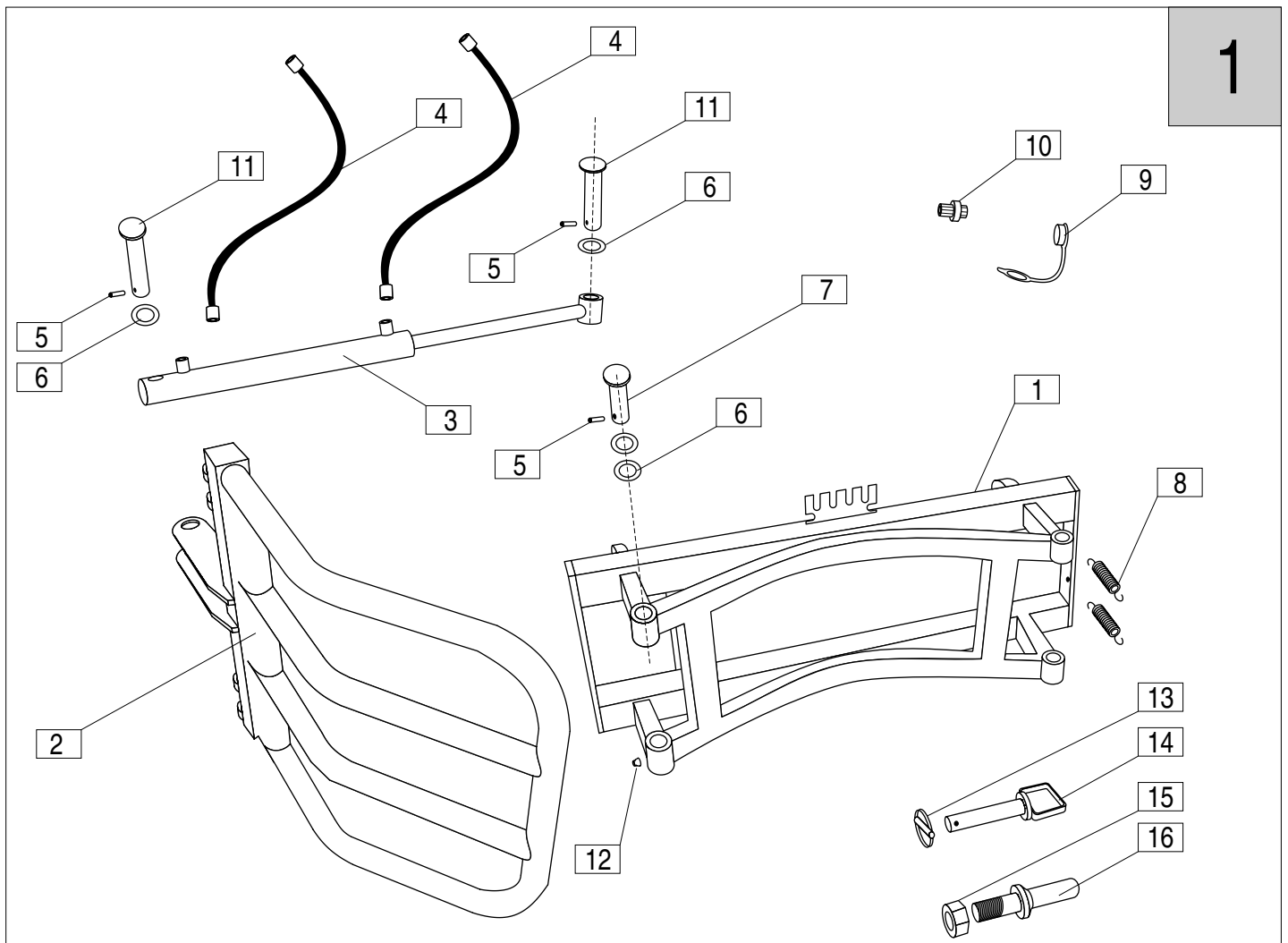


**chwytak do bel MCH**  
**balegripper MCH**  
**rundbalenzange MCH**

---

PPH MANDAM Sp Z O.O.  
44-100 Gliwice ul. Toruńska 2  
www.mandam.com.pl e-mail: mandam@mandam.com.pl  
tel 0048 32 232 26 60 fax 0048 32 232 58 85

---



| typ / type Mandam MCH  |            |     |                    |                 | schemat / scheme / zeichnung / xxx |     |                    | 1 |
|--|------------|-----|--------------------|-----------------|------------------------------------|-----|--------------------|---|
| #  | index      | dwg | część              | part            | teil                               | xxx | szt / qty<br>menge |   |
| 1  | 01-18-1100 | 0   | rama               | frame           | rahme                              | xxx | 1                  |   |
| 2  | 01-18-1000 | 0   | skrzydło           | arm             | arm                                | xxx | 2                  |   |
| 3  | 08-03-0020 | 0   | siłownik           | hydr. piston    | hydraulik                          | xxx | 1                  |   |
| 4  | 06-02-0016 | 0   | wąż hydr. L=2m     | hydr. hose L=2m | ślauch L=2m                        | xxx | 2                  |   |
| 5  | 08-02-0159 | 0   | kołek 50x8         | pin 50x8        | boltze 50x8                        | xxx | 6                  |   |
| 6  | 07-10-0007 | 0   | podkładka 27 mm    | washer 27 mm    | pad 27 mm                          | xxx | 14                 |   |
| 7  | 08-03-0021 | 0   | sworzeń 25x152     | bolt 25x152     | boltze 25x152                      | xxx | 4                  |   |
| 8  | 05-03-0006 | 0   | sprężyna           | spring          | feder                              | xxx | 4                  |   |
| 9  | 06-03-0002 | 0   | zatyckza           | cap             | kape                               | xxx | 2                  |   |
| 10   | 06-03-0001 | 0   | złączka            | connector       | stecker                            | xxx | 2                  |   |
| 11   | 08-03-0020 | 0   | sworzeń 25x117     | bolt 25x117     | boltze 25x117                      | xxx | 2                  |   |
| 12   | 07-21-0003 | 0   | kalamitka          | grease nipple   | schimmiennippel                    | xxx | 4                  |   |
| <b>tylko dla MCH z zaczepem 3-pkt / for 3 point hitch MCH only / nur für 3 punkt MCH</b> |            |     |                    |                 |                                    |     |                    |   |
| 13   | 05-02-0005 | 0   | przetyczka         | clip            | ...                                | xxx | 1                  |   |
| 14   | 08-03-0023 | 0   | sworzeń z uchwytem | bolt            | boltze                             | xxx | 1                  |   |
| 15   | 07-07-0025 | 0   | nakrętka M27       | nut M27         | mutter M27                         | xxx | 2                  |   |
| 16   | 08-02-0241 | 0   | sworzeń gwintowany | bolt threaded   | boltze                             | xxx | 2                  |   |