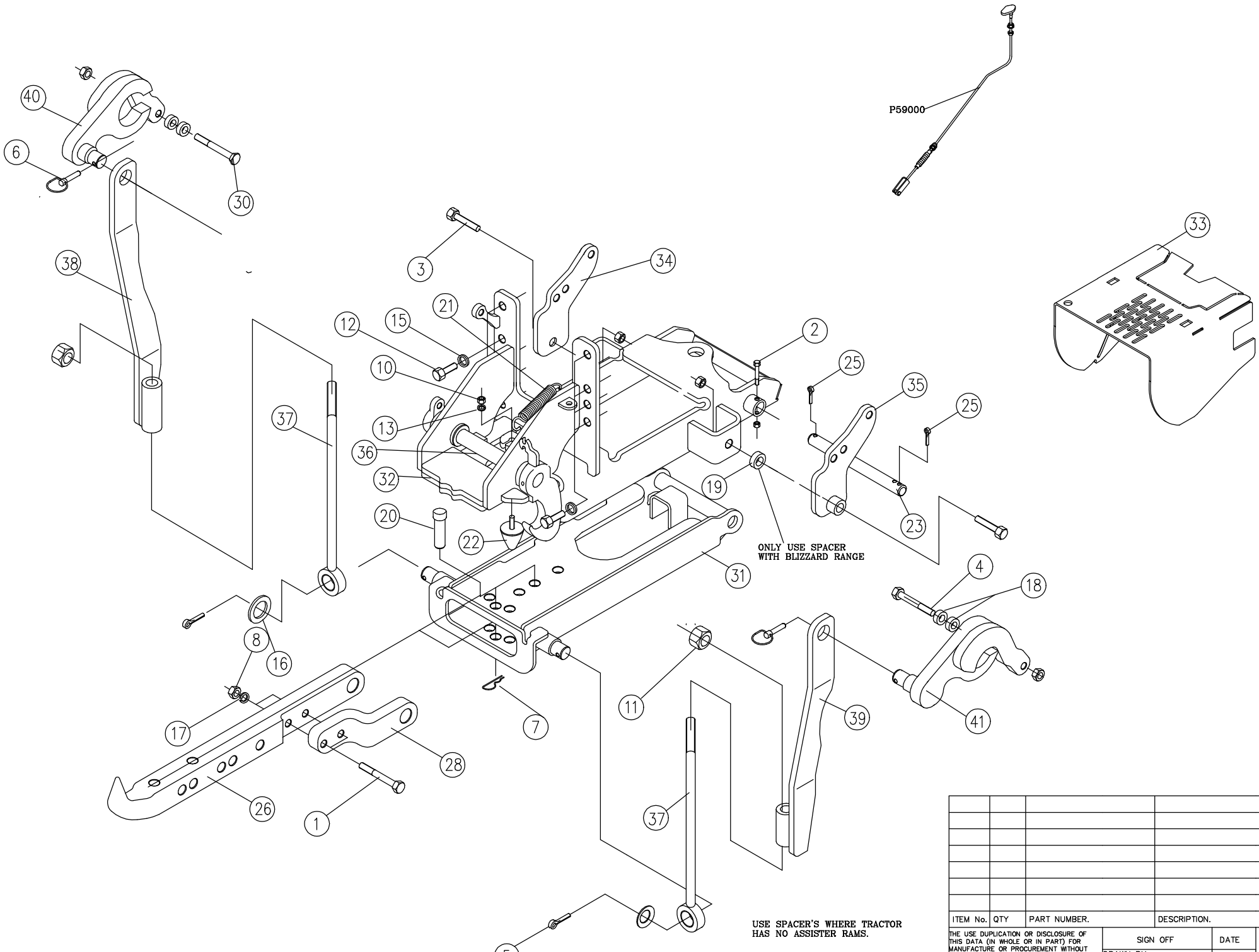


1504	A	INITIAL RELEASE
1528	B	NEW ADDITION
1804	C	DETACHABLE 1
1897	D	PTO GUARD CHAIN
1940	E	PROFILE OF



ONLY USE SPACER WITH BLIZZARD RANGE

USE SPACER'S WHERE TRACTOR HAS NO ASSISTER RAMS.

ITEM No.	QTY	PART NUMBER.	DESCRIPTION.

THE USE DUPLICATION OR DISCLOSURE OF THIS DATA (IN WHOLE OR IN PART) FOR MANUFACTURE OR PROCUREMENT WITHOUT THE WRITTEN PERMISSION OF DENSON.

DRAWN BY _____
SIGN OFF _____
DATE _____

