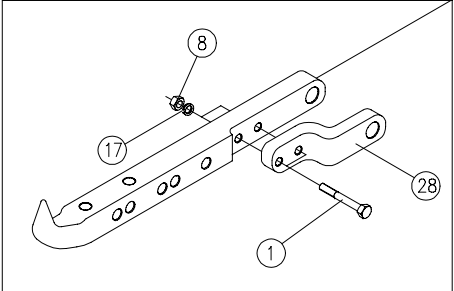
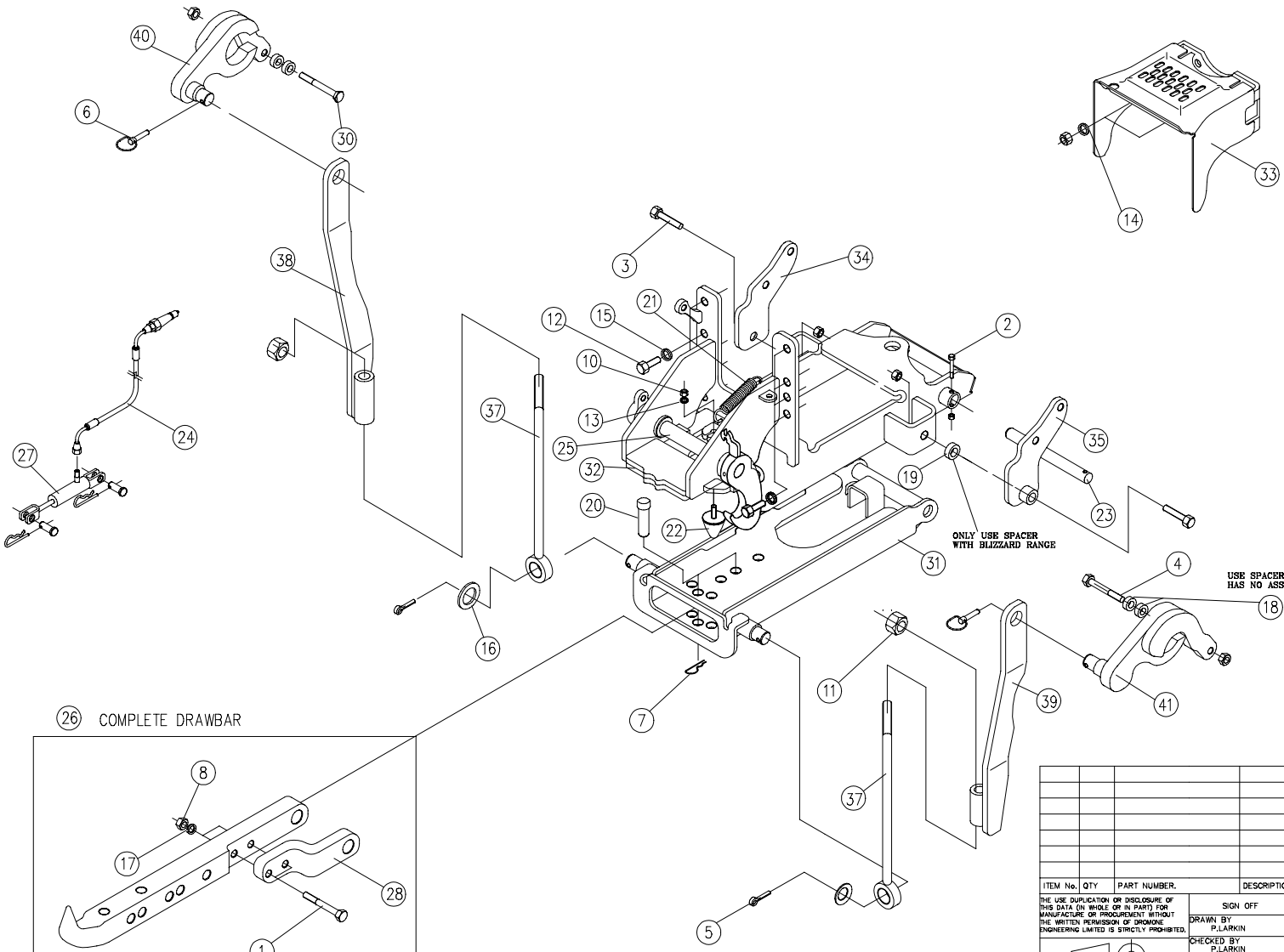


IF IN DOUBT ASK

REVISION HISTORY				
ECO No.	REV.	DESCRIPTION.	DATE.	APPROVED.
1167	A	INITIAL RELEASE	26/7/00	CB
1177	B	TOP ARMS / LIFTLINKS CHANGED	16/01/01	B.FANNING
1804	C	DETACHABLE LATCHING KIT	26/1/06	GE



DIMENSIONS IN MILLIMETRES UNLESS OTHERWISE SPECIFIED	NOMINAL SIZE OF LINEAR DIMENSIONS	TOLERANCES TO BE AS SPECIFIED BELOW UNLESS OTHERWISE STATED			
		OVER	120	315	1000
		TO	120	315	1000
DRAWING AND TOLERANCING TO BS 308: PARTS 1 & 2 & 3.	0 OR 1 DECIMAL PLACES	±0.8	±1.2	±2.0	±3.0
	2 DECIMAL PLACES	±0.25			
	ANGULAR TOLERANCE	±0° 30'			

ITEM No.	QTY	PART NUMBER.	DESCRIPTION.	REMARKS.

THE USE, DUPLICATION OR DISCLOSURE OF THIS DATA (IN WHOLE OR IN PART) FOR MANUFACTURE OR PROCUREMENT WITHOUT THE WRITTEN PERMISSION OF DROMONE ENGINEERING LIMITED IS STRICTLY PROHIBITED.

1ST ANGLE PROJECTION

MATERIAL

FINISH

SIGN OFF	DATE
DRAWN BY P.LARKIN	
CHECKED BY P.LARKIN	
PRO ENG P.LARKIN	
APPROVED BY	
SUPPLIER ACCEPTANCE	
APPROVED BY CUSTOMER	

Dromone, Gloucester,
Co. Meath Ireland.
Telephone: 353-044-68346.
Fax: 353-044-68236.

DRAWING TITLE
LANDINI GHBILI 80/90/100 UK

SIZE
DRAWING NUMBER
750-00013-01

SCALE
N/A

REV LETTER
B

SHEET
1 OF 2

DRAWING 75