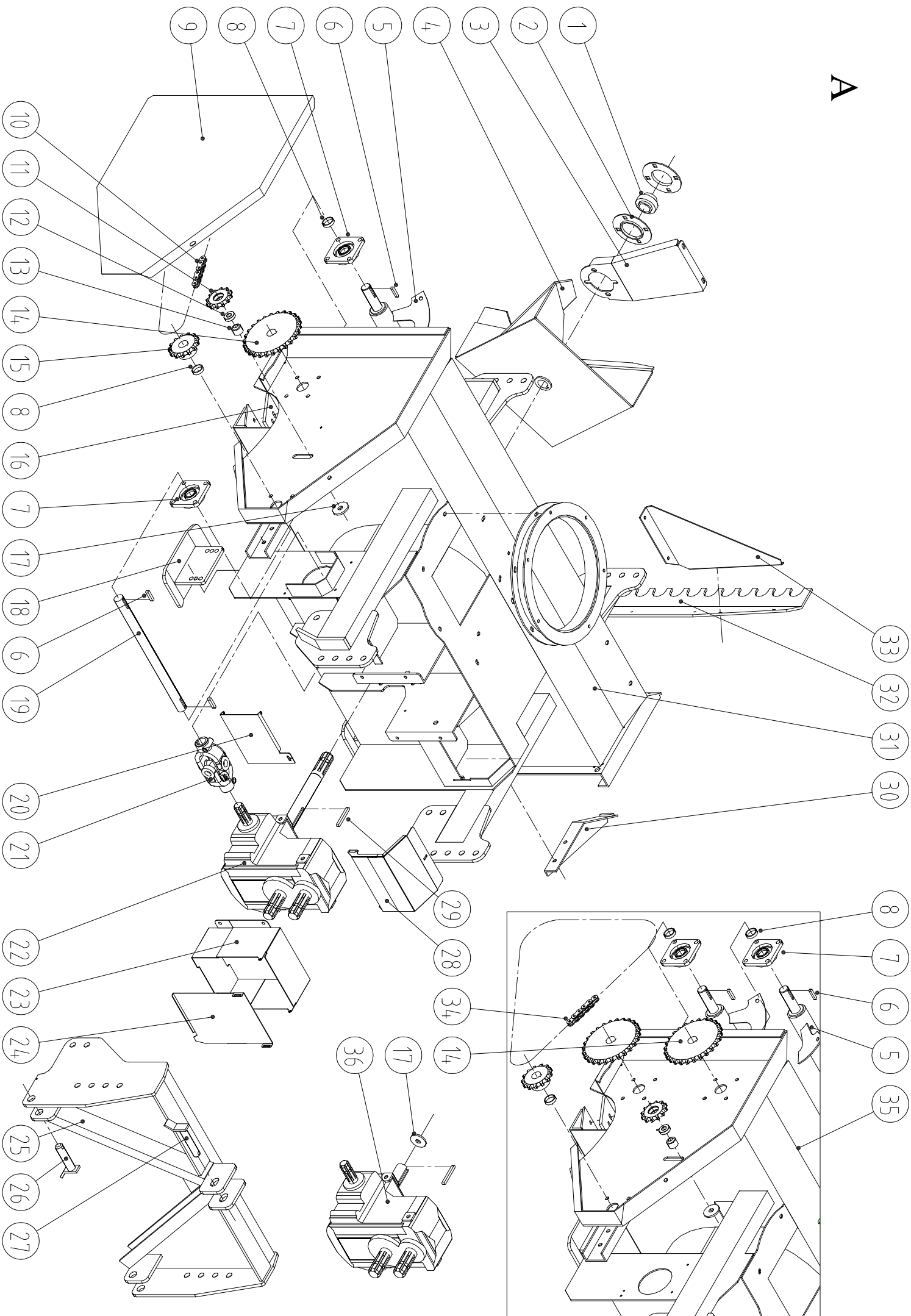
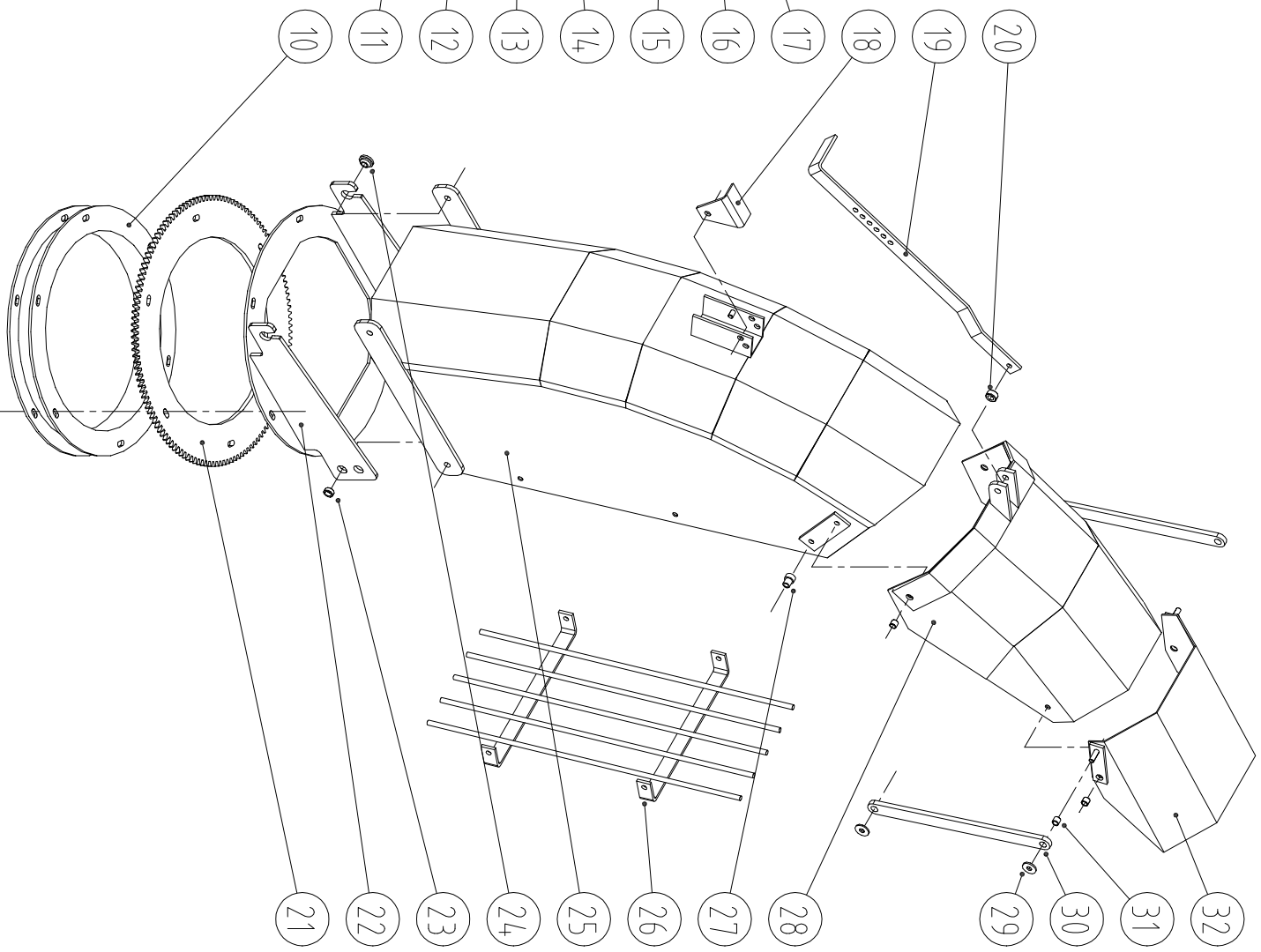
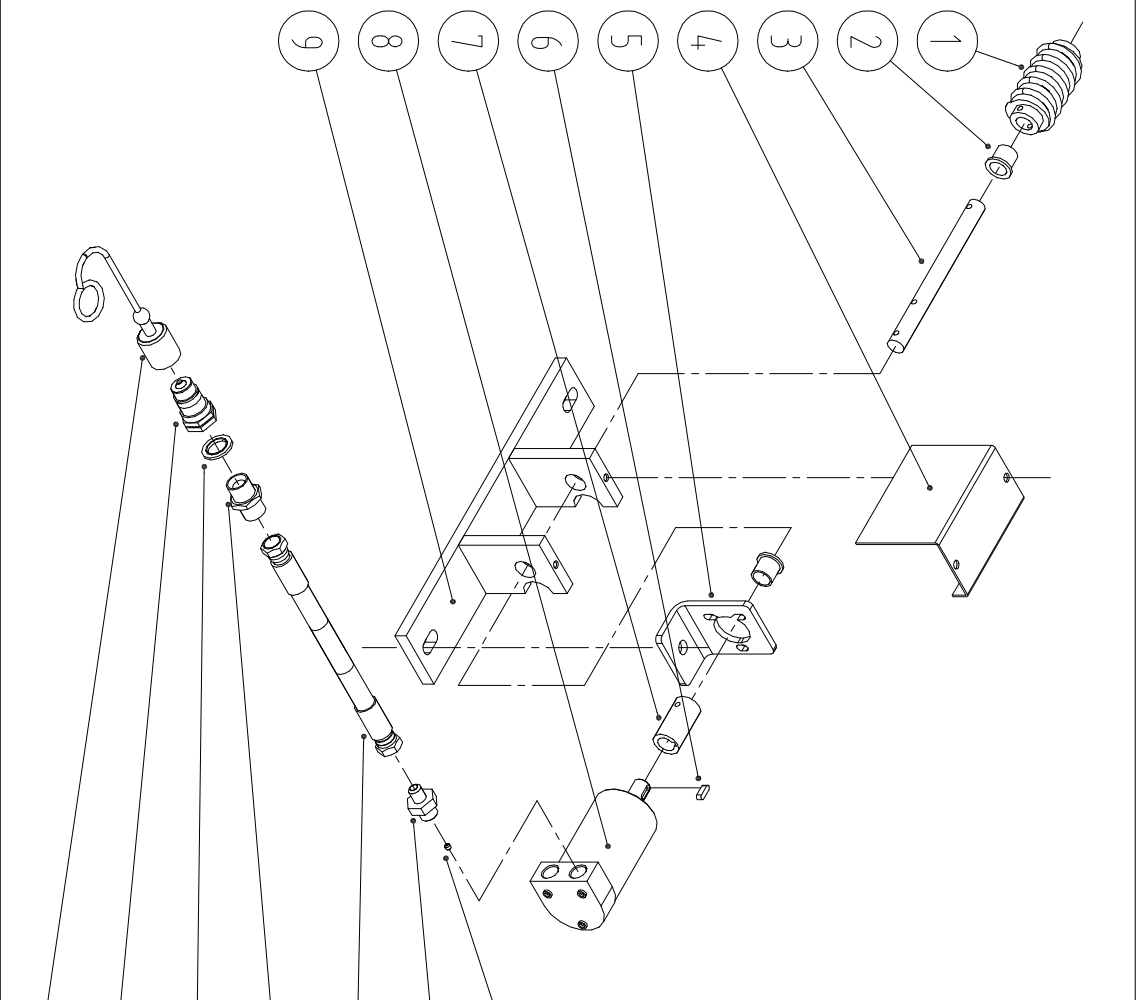


A





B

SB-2000HD; 2200HD; 2400HD; 2002HD; 2202HD; 2402HD (Vertical gear box; mechanical drive)						
pos	description	part no	q'ty	components	q'ty	comments
A	1 bearing UC 209		1			2000HD; 2200HD; 2400HD
	2 bearing housing FL 209		2	bolt M12x30 nylock M12 washer 12x23x2,5	4 4 8	2000HD; 2200HD; 2400HD
	3 console	26 633	1	bolt M10x25 nylock M10 washer10x20x2,5	2 2 2	2000HD; 2200HD; 2400HD
	4 rotor	26 823	1			
	5 feed screw	42 230 42 230 42 231 42 231 42 232 42 232	1 2 1 2 1 2			2000HD 2002HD 2200HD 2202HD 2400HD 2402HD
	6 wedge 10x8x43	26 906	3 4 3 4 3 4			2000HD 2002HD 2200HD 2202HD 2400HD 2402HD
	7 bearing UCF207		3 5 3 5 3 5	bolt M12x35 nylock M12	12 12	2000HD 2002HD 2200HD 2202HD 2400HD 2402HD
	8 bush	26 276	2 3 2 3 2 3			2000HD 2002HD 2200HD 2202HD 2400HD 2402HD
	9 cover	26 506	1			
	10 chain 16B-1 (pre-stretched)		1	chain lock 16B-11	1	2000HD 2200HD 2400HD
	11 chain wheel z=11 1" (tension) chain wheel z=15 1" (tension)	26 903 27 411	1 1	locking ring l40 locking ring l55 bolt M16x75 nylock M16	1 1 1 1	until 2006 2006 and up
	12 bearing 6203 bearing 6205		1 1			until 2006 2006 and up
	13 bush	26 904 27 412	1 1			until 2006 2006 and up
	14 chain wheel z=26 1"	26 902	1 2 1 2 1 2	locking bolt M8x20	1	2000HD 2002HD 2200HD 2202HD 2400HD 2402HD
	15 chain wheel z=13 1"	26 901	1	locking bolt M8x20	1	
	16 scraper blade	26 510 26 908 26 295	1 1 1	bolt M12x35 nylock M12 washer 12x23x2,5	7-9 7-9 7-9	2000HD; 2002HD 2200HD; 2202HD 2400HD; 2402HD
	17 washer	26 023	2			
	18 support ski	42 090	2	bolt M12x35 nylock M12 washer 12x32x2,5	6 6 6	
	19 shaft	26 689 26 684 26 674	1 1 1	bolt M8x20	1	2000HD; 2002HD 2200HD; 2202HD 2400HD; 2402HD
	20 cardan joint cover	26 720	1	bolt M6x20 nylock M6 washer 6x12x1,5 locking ring d=6	2 2 2 1	
	21 cardan joint X.324-T04		1	M8 x 60 6.8	1	
	22 gear box 5992-M-10		1	bolt M16x30 washer 16x32x5 bolt M16x40	6 6 1	
	23 gear box safety cover	24 807	1			
	24 cover	24 416	1			
	25 hitching frame	26 999	1			
	26 pivot	42 110	2			
	27 pivot	42 109	1			
	28 cover	26 683	1			
	29 wedge 12x8x68	26 907	1			
	30 console, right	26 805	1	bolt M12x40 bolt M12x35 nylock M12 washer 32x12x2,5	1 2 3 3	model 1800-2402HD
	31 chassis	42 342 42 343 42 344	1 1 1	eye bolt M6x20 nylock M6	1 1	2000HD 2200HD 2400HD
	32 wing, right	26 911	1	bolt M10x30 nylock M10 washer 10x20x2,5	3 3 3	model 1800-2402HD
	33 console, right	26 914 26 919	1 1	bolt M10x25 bolt M10x30 nylock M10 washer 10x20x2,5	2 2 4 4	1800,2000,2200,2400 - until 2005 2002,2202,2402 - until 2005 1800-2402HD-2006 and up
	34 chain 16B-1 (pre-stretched)		1	chain lock 16B-11	1	2002HD 2202HD 2402HD
	35 chassis	42 346 42 347 42 348	1 1 1	eye bolt M6x20 nylock M6	1 1	2002HD 2202HD 2402HD
	36 gear box 5992-M-11.1		1	bolt M16x30 washer 16x32x5 bolt M16x40	6 6 1	2002HD 2202HD 2402HD

B	1	auger	26 486	1	spring pin 5x26	1	
	2	plastic collar		2			
	3	axle	26 489	1			
	4	cover	26 490	1	bolt Wrülock M6x12	2	
	5	support	26 973	1			
	6	wedge 6x6x16		1			
	7	bush	26 491	1	spring pin 5x26	1	
	8	hydraulic motor OMM 32		1	bolt M6x20 washer spring washer 6	3 3 3	
	9	support	42 203	1	bolt M10x35 bolt M10x40 nylock M10 washer grease nipple M8	1 1 2 2 1	
	10	bearing "Rima"	26 000	1	bolt M10x25 nylock M10 washer 24x17x2	6 6 6	
	11	plastic cap 3020-08		2			
	12	quick coupling 1003-08		2			
	13	sealing 300-08		2			
	14	adapter 460-04-08		2			
	15	hydraulic hose 10-04\1/4'-2500\JIC 30-06-04		2			
	16	adapter JIC M10-3/8"		2			
	17	flow reducer		2			
	18	fixator	26 100	1	bolt M10x25 nylock M10	1 1	
	19	lever	26 101	1	bolt M12x60 nylock M12	1 1	
	20	plastic collar	26 243	2			
	21	toothed flange z=133	30 405	1			
	22	chute support	30 816	1	bolt M10x30 nylock M10	6 6	2006 and up
	23	distance bush	30 216	2			
	24	bush	30 203	2			
	25	chute, lower	30 809	1	bolt M12x40 bolt M12x35 nylock M12 washer 32x12x2,5	2 2 4 2	
	26	safety bars	30 810	1	bolt M10x25 nylock M10	4 4	
	27	distance bush	30 253	2			
	28	chute, middle	30 811	1	bolt M10x40 nylock M10 washer 20x10x1,5	2 2 2	
	29	washer	30 215	6			
	30	lever	30 221	2	bolt M10x45 nylock M10 washer 20x10x1,5	2 4 4	
	31	distance bush	30 217	4			
	32	chute, upper	30 812	1	bolt M10x35 nylock M10 washer 20x10x1,5	2 2 2	