

seppi m.

SPARE PARTS LIST

LISTINO RICAMBI / ERSATZTEILLISTE / LISTE DE PIÈCES DE RECHANGE / LISTADO DE REPUESTOS

MULTIFORST*

Code	Description	Descrizione	Beschreibung	Description	Description
01-0001	Frame	telaio	Rahmen	Chassis	Chasis
02-0024	Rotor	rotore	Rotor	Rotor	Rotor
03-0004	Transmission	trasmissione	Getriebe	Transmission	Transmision
03-0093	Gearbox Comer 1000 rpm with free wheel	moltiplicatore Comer 1000 rpm a ruota libera	Getriebe Comer 1000 rpm mit Freilauf	Boitier Comer 1000 rpm avec roue libre	Caja de cambio Comer 1000 rpm con rueda libre
04-0001	Three-point-hitch frame	attacco a tre punti	Drei-Punkt Anbau	Attelage trois-points	Connexion tres-puntos
09-0002	Guard frame	cavalletto abbassatore	Druckervorrichtung	Rabatteur de branches	Bajador de ramas
12-0001	Opening hatch	apertura cofano	Haubenöffnung	Ouverture capot	Abertura capo

Released 19/09/2011

Valid from:	
Valida da:	
Gültig ab:	2008
Valable à partir du:	
En vigor a partir del:	

LEGENDA			
INFO	+	-	#
EN	and	to	or
ITA	e	a	o
DE	und	bis	oder
FR	et	à	ou
SP	y	hasta	o

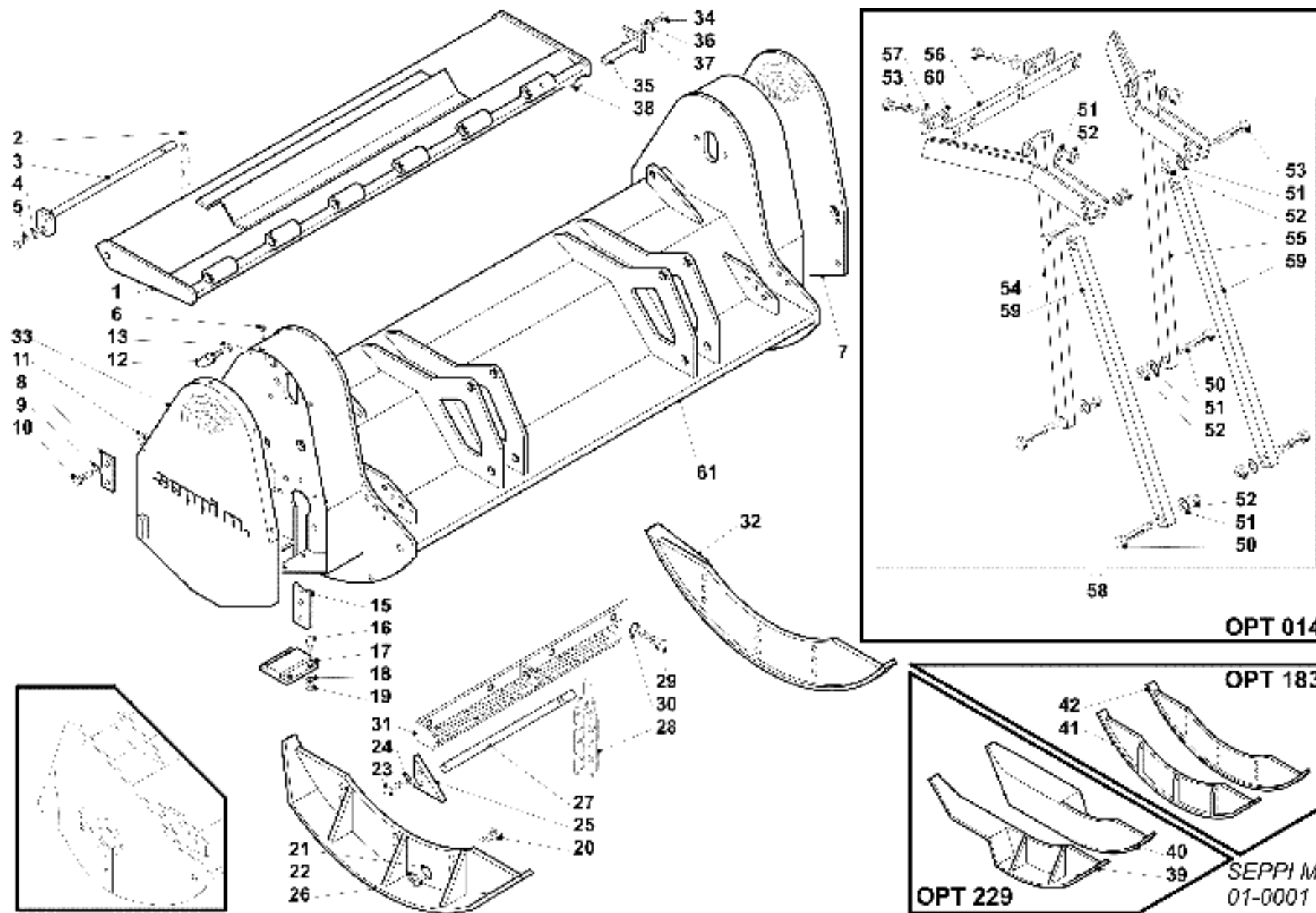
Frame

telaio

Rahmen

Chassis

Chasis



Pos.	Code	Description	Descrizione	Beschreibung	Description	Descripción	Info
002	19410005	CHAIN PROT. 04 CHAINS LINK 8,8	CATENA DI PROTEZIONE 4 MAGLIE FILO 8,8	SCHUTZKETTE 4-MASCHEN 8,8 REIHEN	CHAINE DE PROT. 04 CHAIN.MAIL. 8,8	CADENA DE PROTECC. 4 ESLABONES HILO 8,8	
003	19410019	CHAIN-HOLDER BAR (HATCH) (L= 225)	ASTA CPL PORTACATENE SU COFANO L=225	STAB F. KETTENSCHUTZ F.HAUBE L=225	BARRE PORTE-CHAINE (CAPOT) (L= 225)	BARRA CPL PORTA CADENAS (CAPOT) (L= 225)	
004	97494831	WASHER ELSP ASA B- 27 - 08,2X14,8X2 ZN	ROSETTA ELSP ASA B-27- 8,2X14,8X2 ZN	SCHEIBE ELSP ASA B- 27 - 08,2X14,8X2 ZN	RONDELLE ELS ASA B- 27 - 08,2X14,8X2 ZN	ARANDELA ELSP ASA B-27- 8,2X14,8X2 ZN	
005	96605521	BOLT TE M 08X020 UNI 5739 8.8 ZN	VITE TE M 8X 20 UNI 5739 8.8 ZN	SCHRAUBE TE M 8 X 20 UNI 5739 8,8 ZN	VIS TE M 08X020 UNI 5739 8.8 ZN	TORNILLO TE M 8X 20 UNI 5739 8.8 ZN	
006	96695421	BOLT TCEI M14X025 UNI 5931 8.8 ZN	VITE TCEI M14X 25 UNI 5931 8.8 ZN	SCHRAUBE TCEI M 14 X 25 UNI 5931 8,8 ZN	VIS TCEI M14X025 UNI 5931 8.8 ZN	TORNILLO TCEI M14X 25 UNI 5931 8.8 ZN	
007	19710011	CPL.SEPPI-COVER-SX	COPERCHIO COMPLETO SEPPI SX	DECKEL F. KEILRIEMENSCHUTZ LX	COUVERCLE SEPPI SX CPL	TAPA SEPPI SX CPL	
011	96698321	BOLT TCEI M16X060 UNI 5931 8.8 ZN	VITE TCEI M16X 60 UNI 5931 8.8 ZN	SCHRAUBE TCEI M 16 X 60 UNI 5931 8,8 ZN	VIS TCEI M16X060 UNI 5931 8.8 ZN	TORNILLO TCEI M16X 60 UNI 5931 8.8 ZN	
012	19710006	VIBRATION DAMPER AV25X30 60SH M6 X 18	AMMOR ANTIV TYPE AV25X30 60SH M6 X 18	SCHWING.DAEMPFER TYP AV25X30 60SH M6X18	AMORTIG.ANTIVIBR. AV25X30 60SH M6 X 18	AMORTIG.ANTIVIBR. AV25X30 60SH M6 X 18	
013	97971721	LOW.SELFBLOCK.NUT M 8-6S UNI7474	DADO AUTOBLOC.BASSO M 8 -6S UNI7474	SELBSTSICHER.MUTTER M 8-6S UNI7474 NIED.	ECROU AUTOSERR.M 8-6S UNI7474	TUERCA AUTO BLOQ. BAJA M 8 -6S UNI7474	
016	96607627	BOLT TE M 10X025 UNI 5739 8.8 BLACK	VITE TE M10X 25 UNI 5739 8.8 NERA	SCHRAUBE TE M 10X25 UNI 5739 8,8 SCHW	VIS TE M 10X025 UNI 5739 8.8 NOIRE	TORNILLO TE M10X 25 UNI 5739 8.8 NEGRO	
017	19710084	LOWER COVER FOR BELTS PROT.MIDIF.	COPERCHIO INF PROT CINGHIE MIDIFORST	UNT. DECKEL F. KEILRIEMENSCHUTZ MIDIF.	COUVERCLE INF.POUR PROT.COURROIE MIDIF.	CARTER INF. PROT. CORREAS MIDIFORST	
018	97494931	WASHER ELSP ASA B- 27 - 10,2X18,1X2,2 ZN	ROSETTA ELSP ASA B-27- 10,2X18,1X2,2 ZN	SCHEIBE ELSP ASA B-27 - 10,2X18,1X2,2 ZN	RONDELLE ELS ASA B- 27 - 10,2X18,1X2,2 Z	ARANDELA ELSP ASA B-27- 10,2X18,1X2,2 ZN	
019	97971821	LOW.SELFBLOCK.NUT M 10-6S UNI7474	DADO AUTOBLOC.BASSO M10-6S UNI7474	SELBSTSICHER.MUTTER M10 -6S UNI7474 NIED.	ECROU AUTOSERR.M 10-6S UNI7474	TUERCA AUTO BLOQ. BAJA M 10-6S UNI7474	
020	96612621	BOLT TE M 14X050 UNI 5739 8.8 ZN	VITE TE M14X 50 UNI 5739 8.8 ZN	SCHRAUBE TE M 14 X 50 UNI 5739 8,8 ZN	VIS TE M 14X050 UNI 5739 8.8 ZN	TORNILLO TE M14X 50 UNI 5739 8.8 ZN	
021	97495134	WASHER ELSP ASA B- 27 - 14,2X24,1X3 N	ROSETTA ELSP ASA B-27- 14,2X24,1X3 N	SCHEIBE ELSP ASA B- 27 - 14,2X24,1X3 N	RONDELLE ELS ASA B- 27 - 14,2X24,1X3 N	ARANDELA ELSP ASA B-27- 14,2X24,1X3 N	
022	97972321	LOW.SELFBLOCK.NUT M 14-6S UNI7474	DADO AUTOBLOC.BASSO M14-6S UNI7474	SELBSTSICHER.MUTTER M14 -6S UNI7474 NIED.	ECROU AUTOSERR.M 14-6S UNI7474	TUERCA AUTO BLOQ. BAJA M 14-6S UNI7474	
023	96605521	BOLT TE M 08X020 UNI 5739 8.8 ZN	VITE TE M 8X 20 UNI 5739 8.8 ZN	SCHRAUBE TE M 8 X 20 UNI 5739 8,8 ZN	VIS TE M 08X020 UNI 5739 8.8 ZN	TORNILLO TE M 8X 20 UNI 5739 8.8 ZN	
024	97494831	WASHER ELSP ASA B- 27 - 08,2X14,8X2 ZN	ROSETTA ELSP ASA B-27- 8,2X14,8X2 ZN	SCHEIBE ELSP ASA B- 27 - 08,2X14,8X2 ZN	RONDELLE ELS ASA B- 27 - 08,2X14,8X2 ZN	ARANDELA ELSP ASA B-27- 8,2X14,8X2 ZN	
025	19710046	CLOSE PLATE WITH1PROFILE W.HOLE M.FORST	PIASTRA CHIUSURA ASTA CATENE MIDIFORST	VERSCHLUSSPLATTE M.OESEN M.FORST	PLAQUE FERM.AVEC1PROFIL A.TROU M.FORST	PLACA CIERRE BARRA CADENA MIDIFORST	
026	19207003	CPL DX SKID MIDI-PIERRE	SLITTA CPL DX MIDIPIERRE	KPL KUFE RECHTS MIDIPIERRE	PATIN DX CPL MIDI-PIERRE	PATIN CPL DX MIDIPIERRE	
026	19707002	DX SKID FOR MIDIFORST	SLITTA PER MIDIFORST DX	KUFE RECHT MIDIFORST	PATIN DX POUR MIDIFORST	PATIN X MIDIFORST DX	
027	19710039	CHAIN-HOLDER BAR MIDIFORST 225	ASTA PORTA CATENE MIDIFORST 225	STAB F. KETTENSCHUTZ MIDIFORST 225	BARRE PORTE-CHAINE MIDIFORST 225	BARRA PORTA-CADENAS MIDIFORST 225	
028	14410002	CHAIN PROT. 13 CHAINS LINK 9	CATENA DI PROTEZIONE 13 MAGLIE FILO 8,8	SCHUTZKETTE 13-MASCHEN 8,8 REIHEN	CHAINE DE PROT. 13 CHAIN.MAIL. 9	CADENA DE PROTECC. 13 ESLABONES HILO 8,8	
032	19207002	CPL SX SKID MIDI-PIERRE	SLITTA CPL SX MIDIPIERRE	KPL KUFE LINKS MIDIPIERRE	PATIN SX CPL MIDI-PIERRE	PATIN CPL SX MIDIPIERRE	
032	19707001	SX SKID FOR MIDIFORST	SLITTA PER MIDIFORST SX	KUFE LINKS MIDIFORST	PATIN SX POUR MIDIFORST	PATIN X MIDIFORST SX	
033	19710013	CPL.SEPPI-COVER-DX	COPERCHIO COMPLETO SEPPI DX	DECKEL F. KEILRIEMENSCHUTZ RX	COUVERCLE SEPPI DX CPL	TAPA SEPPI DX CPL	

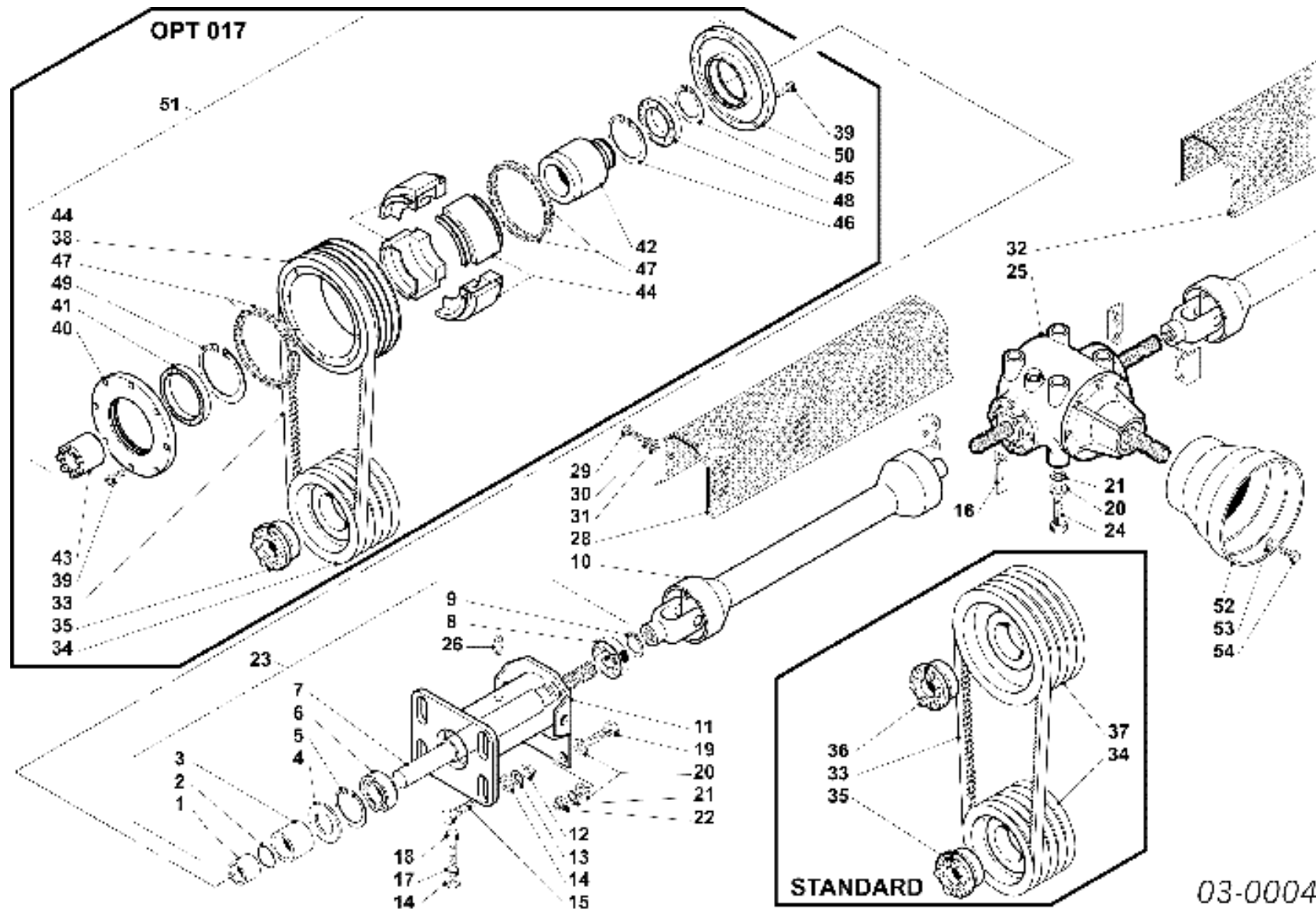
Transmission

trasmissione

Getriebe

Transmission

Transmision

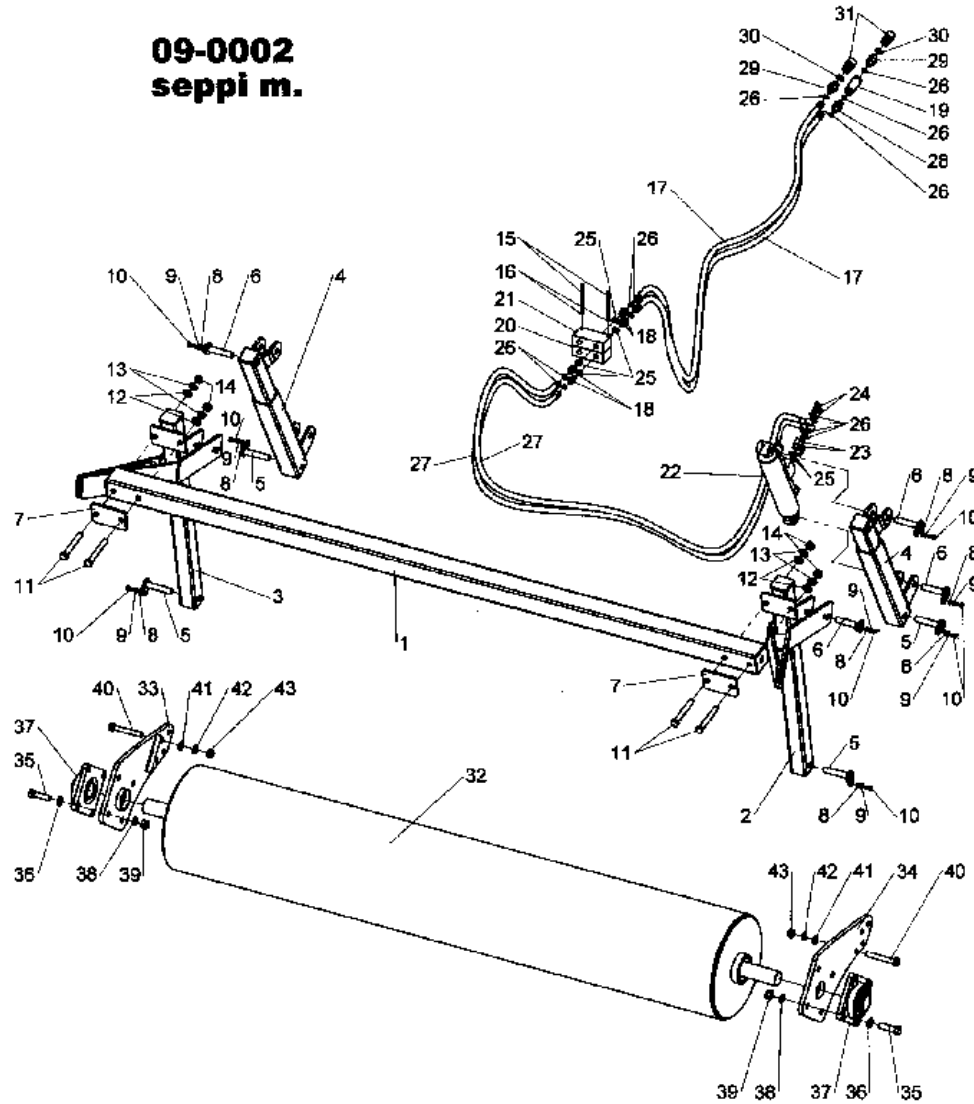


03-0004

Pos.	Code	Description	Descrizione	Beschreibung	Description	Descripción	Info
001	19503015	SELFBLOCK.LOCKRING M 45 X 1,5	GHIERA AUTOBLOCCANTE M45 X 1,5	SELBSTSICHERNDE NUTMUTTER M45 X 1,5	COLLIER AUTOSERR.M 45 X 1,5	ARO AUTOBLOCANTE M45 X 1,5	
002	97283880	OIL SEAL OR 135/3193 48,91X2,62	ANELLO O-RING OR 135/3193 48,91X2,62	O-DICHTUNGSRING 135/3193 48,91 X 2,62	BAGUE ETACH. OR 135/3193 48,91X2,62	RETEN 135/3193 48,91X2,62	
003	17903043	SPACER FOR EXTENSION SHAFT	DISTANZIALE PER PROLUNGA	DISTANZBUECHSE F. VERLAENGERUNG	ENTRETOISE POUR PROLONGE	RETEN PARA PROLONGACION	
004	13002068	OIL SEAL 60 X 90 X10	ANELLO DI TENUTA 60 X 90 X10	DICHTUNGSRING 60 X 90 X10	BAGUE ETACH. 60 X 90 X10	RETEN 60 X 90 X10	
005	96875176	EL.RING F.HOLES 90X3	ANELLO EL. PER FORI 90X3	SEEGERRING F.LOECHER 90X3	BAGUE ARRET P.TROUS 90X3	RETEN EL.P.ORIFIC. 90X3	
006	13002042	BEARING 22210 E 50X 90X23	CUSCINETTO 22210 E 50X 90X23 OR.RULLI	VERST. ROLLENLAGER 22210 E 50X 90X23	ROULEMENT 22210 E 50X 90X23	RODAMIENTO 22210 E 50X 90X23 RODILLOS	
007	17903057	SHAFT FOR EXTENSION SHAFT MIDIF.D.T.MECH	ALBERO X PROLUNGA MIDIFORST DT MECC	VERLAENGERUNGSWELLE F. MIDIF.DT. MECH.	ARBRE POUR ROLLONGE MIDIFORST D.T.MECH.	EJE PARA PROL.MIDIFORST DT MECC.	
008	17903003	BEARING 6308 2RS	CUSCINETTO 6308 2RS1 40X 90X23 RAD.SFE	KUGELLAGER 6308 2RS 40X 90X23 RAD.	ROULEMENT 6308 2RS	RODAMIENTO 6308 2RS1 40X 90X23 ESFERAS	
009	96867476	EL.RING F.SHAFTS 40X1,75	ANELLO EL. PER ALBERI 40X1,75	WELLENSPANNRING 40X1,75	BAGUE ARRET P.ARBRES 40X1,75	RETEN EL.P.EJES 40X1,75	
010	17903018	COMER PTO V 60 X MF-DT 200 GEAR+EXT.SH.	CARDANO 106 1"3/8 Z6 1"3/8 Z6 SF PROL.	GW B&P106 1"3/8 Z6-1"3/8 Z6 OF+VERL.L200	CARD.COMER V 60 X MF-DT 200 BOIT.+PROL.	CARDAN 106 1"3/8 Z6 1"3/8 Z6 SF PROL.	
010	17903019	COMER PTO V 60 X MF-DT 225 GEAR+EXT.SH.	CARDANO 106 1"3/8 Z6 1"3/8 Z6 SF PROL.	GW B&P106 1"3/8 Z6-1"3/8 Z6 OF+VERL.L225	CARD.COMER V 60 X MF-DT 225 BOIT.+PROL.	CARDAN 106 1"3/8 Z6 1"3/8 Z6 SF PROL.	
011	17903056	CPL EXT.SHAFT MIDIF.D.T.MECH.	PROLUNGA MIDIFORST D.T. MECC.	VERLAENGERUNG MIDIF DT MECH.	PROL.CPL MIDIF.D.T.MECH.	PROLONGACION. MIDIFORST D.T. MEC.	
012	97972321	LOW.SELFBLOCK.NUT M 14-6S UNI7474	DADO AUTOBLOC.BASSO M14-6S UNI7474	SELBSTSICHER.MUTTER M14 -6S UNI7474 NIED.	ECROU AUTOSERR.M 14-6S UNI7474	TUERCA AUTO BLOQ. BAJA M 14-6S UNI7474	
013	97495134	WASHER ELSP ASA B- 27 - 14,2X24,1X3 N	ROSETTA ELSP ASA B-27- 14,2X24,1X3 N	SCHEIBE ELSP ASA B- 27 - 14,2X24,1X3 N	RONDELLE ELS ASA B- 27 - 14,2X24,1X3 N	ARANDELA ELSP ASA B-27- 14,2X24,1X3 N	
014	97093311	SMOOTH WASHER M 14 UNI 5714 ZN	ROSETTA PIANA CARPENT.X M14 UNI 5714 ZN	GLATTE SCHEIBE F. M 14 UNI 5714 ZN	RONDELLE LISSE M 14 UNI 5714 ZN	ARANDELA PLANA M14 UNI 5714 ZN	
015	96611821	BOLT TE M 14X050 UNI 5737 8.8 ZN	VITE TE M14X 50 UNI 5737 8.8 ZN	SCHRAUBE TE M 14 X 50 UNI 5737 8,8 ZN	VIS TE M 14X050 UNI 5737 8.8 ZN	TORNILLO TE M14X 50 UNI 5737 8.8 ZN	
016	17903015	P.T.O.SHAFT PROT.SUPP.F.GEARB.MIDIFOR	SOSTEGNO PROT.CARDANO CPL.X MOLT. MIDIF.	KARDANSCHUTZSTUETZE F.GETR.MIDIFORST	SOUTIEN PROT.CARDAN P.BOIT.MIDIFOR	SOPORTE PROT. CARDAN CPL.X MULT. MIDIF.	
017	96980271	NUT M 14-6S UNI5589 H=08	DADO M14-6S UNI5589 BASSO H=08 ZN	MUTTET M 14-6S UNI5589 H=08 NIEDER	ECR.M 14-6S UNI5589 H=08	TUERCA M 14-6S UNI5589 BAJA H=08 GALV.	
018	96621621	BOLT TE M 14X100 UNI 5739 8.8 ZN	VITE TE M14X100 UNI 5739 8.8 ZN	SCHRAUBE TE M 14 X 100 UNI 5739 8,8 ZN	VIS TE M 14X100 UNI 5739 8.8 ZN	TORNILLO TE M14X100 UNI 5739 8.8 ZN	
019	96619221	BOLT TE M 16X045 UNI 5737 8.8 ZN	VITE TE M16X 45 UNI 5737 8.8 ZN	SCHRAUBE TE M 16 X 45 UNI 5737 8,8 ZN	VIS TE M 16X045 UNI 5737 8.8 ZN	TORNILLO TE M16X 45 UNI 5737 8.8 ZN	
020	97093611	SMOOTH WASHER CARPENT.X M16 UNI 5714 ZN	ROSETTA PIANA CARPENT.X M16 UNI 5714 ZN	GLATTE SCHEIBE F. M16 UNI 5714 ZN	RONDELL. LISSE CARPENT.X M16 UNI 5714 ZN	ARANDELA PLANA M16 UNI 5714 ZN	
021	97495231	WASHER ELSP ASA B- 27 - 16,2X27,4X3,5 ZN	ROSETTA ELSP ASA B-27- 16,2X27,4X3,5 ZN	SCHEIBE ELSP ASA B-27 - 16,2X27,4X3,5 ZN	RONDELLE ELS ASA B- 27 - 16,2X27,4X3,5 Z	ARANDELA ELSP ASA B-27- 16,2X27,4X3,5 ZN	
022	97972521	LOW.SELFBLOCK.NUT M 16-6S UNI7474	DADO AUTOBLOC.BASSO M16-6S UNI7474	SELBSTSICHER.MUTTER M16 -6S UNI7474 NIED.	ECROU AUTOSERR.M 16-6S UNI7474	TUERCA AUTO BLOQ. BAJA M 16-6S UNI7474	
023	17903055	EXT.SHAFT MIDIF.D.T.MECH.	PROLUNGA CPL MIDIFORST DT MECCANICO	VERLAENGERUNG MIDIF DT MECH.	PROL.MIDIF.D.T.MECH.	PROLONGACION CPL. MIDIFORST DT MECANICO	
024	96614521	BOLT TE M 16X035 UNI 5739 8.8 ZN	VITE TE M16X 35 UNI 5739 8.8 ZN	SCHRAUBE TE M 16 X 35 UNI 5739 8,8 ZN	VIS TE M 16X035 UNI 5739 8.8 ZN	TORNILLO TE M16X 35 UNI 5739 8.8 ZN	
025	17903007	GEAR.TL 269B R=1:1,63 RL (9.269.221.00)	SCAT.ING T269B RL AP 1:1,6 (9.269.221.00)	GETRIEBE TL 269B 1:1,63 FL (9.269.221.00)	BOIT.TL 269B R=1:1,63 RL (9.269.221.00)	CAJA ENG. T269B RL AP 1:1,6 926922100	
026	97036711	GREASE NIPPLE UNI 7663 AM M8X1,25	INGRESS DIRITTO UNI 7663 AM 8X1,25	SCHMIERNIPPEL UNI 7663 AM M8X1,25	GRAISSEUR UNI 7663 AM M8X1,25	LUBRICADOR UNI 7663 AM 8X1,25	
027	48030443	SPACER 45,3X65,3X0,5 (0.252.7505.00)	SPESSORE REG.45,3X65,3X0,5 (0.252.7505.00)	DISTANZSCHEIBE 45,3 X 65,3 X 0,5	EPAISSEUR 45,3X65,3X0,5 (0.252.7505.00)	COJINETE REG.45,3X65,3X0,5 (0.252.7505.00)	

Pos.	Code	Description	Descrizione	Beschreibung	Description	Descripción	Info
028	17903012	P.T.O.SH.PROT.DX MIDIF.DT 200	PROT CARDANO DX MIDIF. DT 200	KARDANW. SCHUTZ DX MIDIF DT 200	PROT.CARDAN DX MIDIF. DT 200	PROTECCION CARDAN DX MIDIF. DT 200	
028	17903013	P.T.O.SH.PROT.DX MIDIF.DT 225	PROT CARDANO DX MIDIF. DT 225	KARDANW. SCHUTZ DX MIDIF DT 225	PROT.CARDAN DX MIDIF. DT 225	PROTECCION CARDAN DX MIDIF. DT 225	
029	96607521	BOLT TE M 10X020 UNI 5739 8.8 ZN	VITE TE M10X 20 UNI 5739 8.8 ZN	SCHRAUBE TE M 10X20 UNI 5739 8.8 ZN	VIS TE M 10X020 UNI 5739 8.8 ZN	TORNILLO TE M10X 20 UNI 5739 8.8 ZN	
030	97494931	WASHER ELSP ASA B- 27 - 10,2X18,1X2,2 ZN	ROSETTA ELSP ASA B-27- 10,2X18,1X2,2 ZN	SCHEIBE ELSP ASA B-27 - 10,2X18,1X2,2 ZN	RONDELLE ELS ASA B- 27 - 10,2X18,1X2,2 Z	ARANDELA ELSP ASA B-27- 10,2X18,1X2,2 ZN	
031	97095111	SMOOTH WASHER UNI 6592 - 10,5X21X2,0 ZN	ROSETTA PIANA UNI 6592- 10,5X21X2,0 ZN	GLATTE SCHEIBE UNI 6592 - 10,5X21X2 ZN	RONDELL.LISSE UNI 6592 - 10,5X21X2,0 ZN	ARANDELA PLANA UNI 6592- 10,5X21X2,0 ZN	
032	17903044	P.T.O.SH.PROT.SX MIDIF.DT 200	PROT CARDANO SX MIDIF. DT 200	KARDANW. SCHUTZ LX MIDIF DT 200	PROT.CARDAN SX MIDIF. DT 200	PROTECCION CARDAN SX MIDIF. DT 200	
032	17903045	P.T.O.SH.PROT.SX MIDIF.DT 225	PROT CARDANO SX MIDIF. DT 225	KARDANW. SCHUTZ LX MIDIF DT 225	PROT.CARDAN SX MIDIF. DT 225	PROTECCION CARDAN SX MIDIF. DT 225	
033	18303018	BELT SPBX 1640	CINGHIA SPBX 1640	KEILRIEMEN SPBX 1640	COURROIES SPBX 1640	CORREA SPBX 1640	
034	19703101	PULLEY 5SPB 225 80	PULEGGIA 5SPB 225 FORO 80	KEILRIEMENSCHLEIBE 5SPB 225 IN. 80	POULIE 5SPB 225 80	POLEA 5SPB 225 FORO 80	
035	13003006	TAPER LOCK VIBLOCK VK 156 45 X 80	CALETTATORE VIBLOCK VK 156 45 X 80	SPANNBUECHSE VIBLOCK VK 156 45 X 80	MOYEU VIBLOCK VK 156 45 X 80	JUNTA VIBLOCK VK 156 45 X 80	
036	15003054	TAPER LOCK VIBLOCK VK 156 40 X 80 STD	CALETTATORE VIBLOCK VK 156 40 X 80	SPANNBUECHSE VIBLOCK VK 156 40 X 80	MOYEU VIBLOCK VK 156 40 X 80 STD	JUNTA VIBLOCK VK 156 40 X 80 STD	
037	19703101	PULLEY 5SPB 225 80	PULEGGIA 5SPB 225 FORO 80	KEILRIEMENSCHLEIBE 5SPB 225 IN. 80	POULIE 5SPB 225 80	POLEA 5SPB 225 FORO 80	
052	14310012	CIRCULAR PROTECTION (30/211)	CONTROCUFFIA CIRCOLARE (30/211)	KREISFOERM. SCHUTZKAPPE (30/211)	PROTECTION CIRCULAIRE (30/211)	PROTECCION CIRCULAR (30/211)	
054	96605321	BOLT TE M 08X012 UNI 5739 8.8 ZN	VITE TE M 8X 12 UNI 5739 8.8 ZN	SCHRAUBE TEM 8 X 12 UNI 5739 8.8 ZN	VIS TE M 08X012 UNI 5739 8.8 ZN	TORNILLO TE M 8X 12 UNI 5739 8.8 ZN	

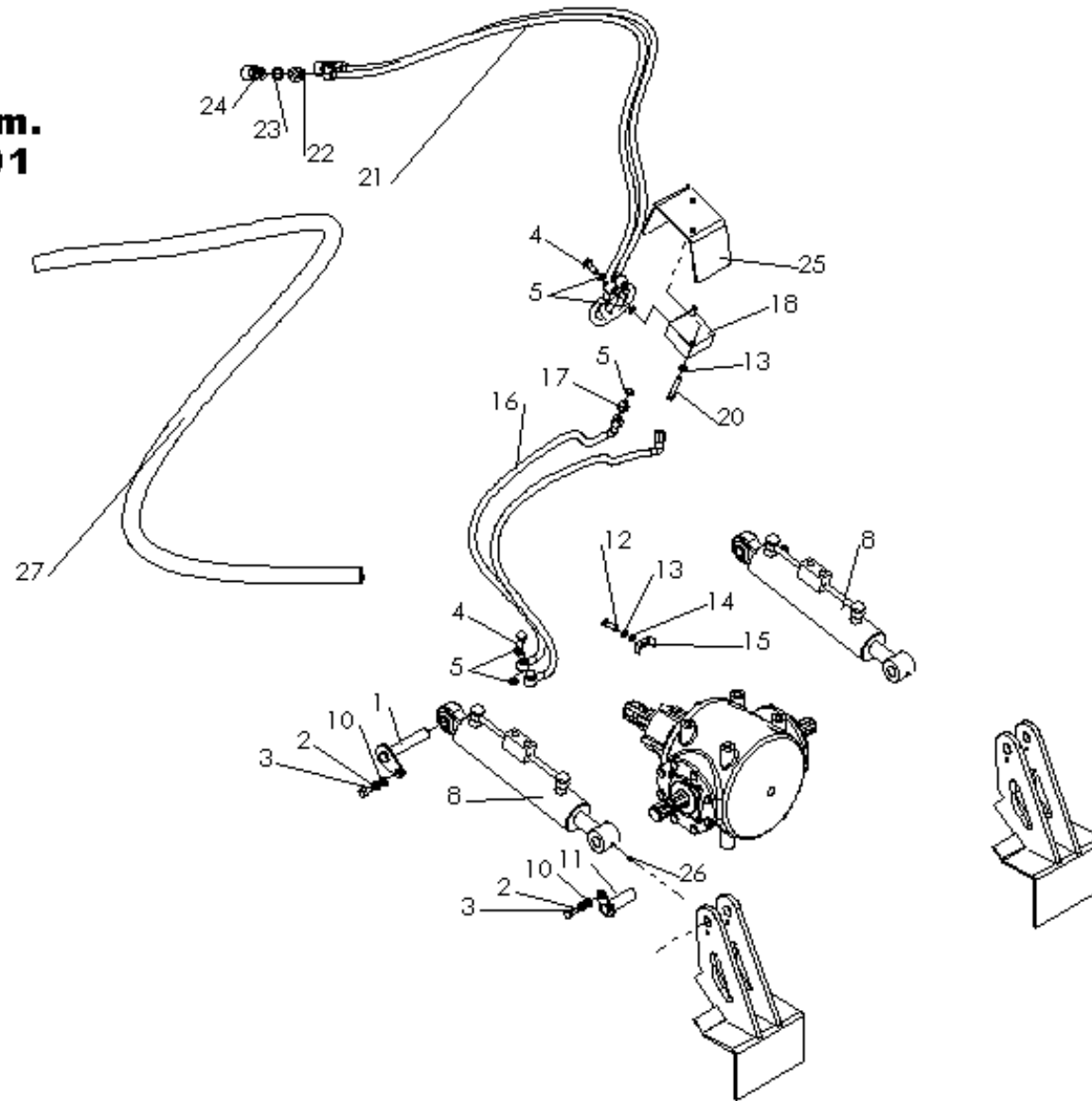
09-0002
seppi m.



Pos.	Code	Description	Descrizione	Beschreibung	Description	Descripción	Info
001	17109002	HOSE CPL CAV ABB MULTI MD 225	TUBO TRAVERSALE CPL CAV ABB MULTI 225	BINDERBALKEN DRUECKEVORR. MULTI MD 225	TUBE CPL CAV ABB MULTI MD 225	TUBO CPL CAV ABB MULTI MD 225	
002	17109004	HOSE DX CPL CAV ABB MULTI MD	TUBO VERTICALE DX CPL CAV ABB MULTI MD	KPL STANDROHR RX DRUECKEVORR. MULTI MD	TUBE DX CPL CAV ABB MULTI MD	TUBO DX CPL CAV ABB MULTI MD	
003	17109005	HOSE SX CPL CAV ABB MULTI MD	TUBO VERTICALE SX CPL CAV ABB MULTI MD	KPL STANDROHR LX DRUECKEVORR. MULTI MD	TUBE SX CPL CAV ABB MULTI MD	TUBO SX CPL CAV ABB MULTI MD	
004	17109007	HOSE CPL CAV ABB MULTI MD	TUBO ANGOLATO CPL CAV ABB MULTI MD	KANTSCHLAUCH DRUECKEVORRICH.MULTI MD	TUBE CPL CAV ABB MULTI MD	TUBO CPL CAV ABB MULTI MD	
005	17109017	PIN WITH PLATE D19X 95 INT=28	PERNO CON GOCCIA D19X 95 INT=28	BOLZEN M. PLATTE D19X 95 INT=28	GOUJON A.PLAQUE D19X 95 INT=28	PERNO CON PLACA D19X 95 INT=28	
006	17908029	PIN WITH PLATE D 19X 80 INT=28	PERNO CON GOCCIA D19X 90 INT=28	BOLZEN M.PLATTE D 19X 80 INT=28	GOUJON A.PLAQUE D 19X 80 INT=28	PERNO CON PLACA D 19X 90 INT=28	
007	19709094	PLATE	PIASTRA FISSAGGIO TUBO TRAVERSALE 03	FIXIERUNGSPLATTE F. BINDERBALKEN '03	PLAQUE	PLACA	
008	97094911	SMOOTH WASHER UNI 6592 - 08,4X16X1,6 ZN	ROSETTA PIANA UNI 6592-08,4X16X1,6 ZN	GLATTE SCHEIBE UNI 6592 - 8,4X16X1,6 ZN	RONDELL.LISSE UNI 6592 - 08,4X16X1,6 ZN	ARANDELA PLANA UNI 6592-08,4X16X1,6 ZN	
009	97494831	WASHER ELSP ASA B- 27 - 08,2X14,8X2 ZN	ROSETTA ELSP ASA B-27-8,2X14,8X2 ZN	SCHEIBE ELSP ASA B- 27 - 08,2X14,8X2 ZN	RONDELLE ELS ASA B- 27 - 08,2X14,8X2 ZN	ARANDELA ELSP ASA B-27-8,2X14,8X2 ZN	
010	96605521	BOLT TE M 08X020 UNI 5739 8.8 ZN	VITE TE M 8X 20 UNI 5739 8.8 ZN	SCHRAUBE TE M 8 X 20 UNI 5739 8,8 ZN	VIS TE M 08X020 UNI 5739 8.8 ZN	TORNILLO TE M 8X 20 UNI 5739 8.8 ZN	
011	96615821	BOLT TE M16X130 UNI 5737 8.8 ZN	VITE TE M16X130 UNI 5737 8.8 ZN	SCHRAUBE TE M 16 X 130 UNI 5737 8,8 ZN	VIS TE M16X130 UNI 5737 8.8 ZN	TORNILLO TE M16X130 UNI 5737 8.8 ZN	
012	97095711	SMOOTH WASHER UNI 6592 - 16X30X3,0 ZN	ROSETTA PIANA UNI 6592-16,0X30X3,0 ZN	GLATTE SCHEIBE UNI 6592 - 16X30X3 ZN	RONDELL.LISSE UNI 6592 - 16X30X3,0 ZN	ARANDELA PLANA UNI 6592-16,0X30X3,0 ZN	
013	97495231	WASHER ELSP ASA B- 27 - 16,2X27,4X3,5 ZN	ROSETTA ELSP ASA B-27-16,2X27,4X3,5 ZN	SCHEIBE ELSP ASA B-27 - 16,2X27,4X3,5 ZN	RONDELLE ELS ASA B- 27 - 16,2X27,4X3,5 Z	ARANDELA ELSP ASA B-27-16,2X27,4X3,5 ZN	
014	97972521	LOW.SELFBLOCK.NUT M 16-6S UNI7474	DADO AUTOBLOC.BASSO M16-6S UNI7474	SELBSTSICHER.MUTTER M16 -6S UNI7474 NIED.	ECROU AUTOSERR.M 16-6S UNI7474	TUERCA AUTO BLOQ. BAJA M 16-6S UNI7474	
015	96626721	BOLT TE M 6X100 UNI 5737 8.8 ZN	VITE TE M 6X100 UNI 5737 8.8 ZN	SCHRAUBE TE M 6 X100 UNI 5737 8,8 ZN	VIS TE M 6X100 UNI 5737 8.8 ZN	TORNILLO TE M 6X100 UNI 5737 8.8 ZN	
016	97494731	WASHER ELSP ASA B- 27 - 06,1X11,8X1,6 ZN	ROSETTA ELSP ASA B-27-6,1X11,8X1,6 ZN	SCHEIBE ELSP ASA B-27 - 06,1X11,8X1,6 ZN	RONDELLE ELS ASA B- 27 - 06,1X11,8X1,6 Z	ARANDELA ELSP ASA B-27-6,1X11,8X1,6 ZN	
017	10412105	HOSE SAE R2ATDN 1/4"X 2200 FD -FD	TUBO SAE R2ATDN 1/4"X 2200 FD -FD	SCHLAUCH SAE R2ATDN 1/4"X 2200 FD-FD	TUBE SAE R2ATDN 1/4"X 2200 FD -FD	TUBO SAE R2ATDN 1/4"X 2200 FD -FD	
018	10412152	ADAPTING COUPLING M-M 1/4"-3/8"	NIPPLLO DI RIDUZIONE M-M 1/4"-3/8"	REDUZIERNIPPL M-M 1/4"-3/8"	JOINT ADAPTEUR M-M 1/4"-3/8"	EMPALME REDUCTOR M-M 1/4"-3/8"	
019	11412006	BLOCK.VALVE	VALVOLA STROZZATRICE BIDIREZIONALE 1/4"	DROSSELVENTIL BIDIREKTIONAL 1/4"	VALVE DE BLOC	VALVULA OBTURACION BIDIRECCIONAL 1/4"	
020	17112002	DISTR.3 WAY	DIVISORE DI FLUSSO RIUNIF 50-50 DFR38-01	OELFLUSSVERTEILER DFR38 -01	DISTRIBUTOR	DIVISOR DE CAUDAL 50-50 DFR38-01	
021	17112003	ALUM.BLOC	BLOCCO DFR A 3 VIE 3/8"	BLOCK DFR 3-WEGE 3/8"	BLOC D'ALUM.	BLOQUE ALUM.	
022	17912008	HYDR. CYL. 60X30X200 + BLOCK. VALVE	CILINDRO HYD 60X30X200 (415-615) + VAL	HYDR. ZYL. 60 X 30 X 200 + STOPVENTIL	CYL.HYDR. 60X30X200 + VALVE DE BLOQ.	CILINDRO HIDR. 60X30X200 (415-615) + VAL	
023	19312004	ADAPTING COUPLING M 3/8"-F1/4"	PROLUNGA M 3/8" - F 1/4" L=22	ANPASSUNGSSTUECK M 3/8"-F1/4"	JOINT ADAPTEUR M 3/8"-F1/4"	EMPALME DE REDUCCION M3/8"-F1/4" L=35	
024	19412007	BOLT FOR COUPLING 1/4"	VITE X RACCORDO AD OCCHIO 1/4"	SCHRAUBE F. ANSCHLUSSSTUECK 1/4"	VIS POUR JOINT 1/4"	TORNILLO X EMPALME A OJO 1/4"	
025	96508360	COPPER GASKET 17 X 22 (3/8")	GUARNIZIONE A SEZ.RETT.A17 X 22 (3/8")	KUPFERDICHTUNG 17 X 22 (3/8")	JOINT EN CUIVRE 17 X 22 (3/8")	JUNTA SECC. RECT. A17 X 22 (3/8")	
026	96508160	COPPER GASKET 14 X 18 (1/4")	GUARNIZIONE A SEZ.RETT.A14 X 18 (1/4")	KUPFERDICHTUNG 14 X 18 (1/4")	JOINT EN CUIVRE 14 X 18 (1/4")	JUNTA SECC. RECT. A14 X 18 (1/4")	
027	21012003	HOSE SAE R1ATDN 1/4"X 1300 FD -O	TUBO SAE R1ATDN 1/4"X 1300 FD -O	SCHLAUCH SAE R1ATDN 1/4"X 1300 FD -O	TUBE SAE R1ATDN 1/4"X 1300 FD -O	TUBO SAE R1ATDN 1/4"X 1300 FD -O	
028	48120022	COUPLING M 1/4	NIPPLLO M-M 1/4	NIPPL M-M 1/4"	JOINT M 1/4	EMPALME M 1/4	
029	42012245	ADAPTING COUPLING M-M 1/4"-1/2"	NIPPLLO DI RIDUZIONE M-M 1/4"-1/2" BLOC	REDUZIERNIPPL M-M 1/4"-1/2"	JOINT ADAPTEUR M-M 1/4"-1/2"	EMPALME REDUCTOR M-M 1/4"-1/2"	

Pos.	Code	Description	Descrizione	Beschreibung	Description	Descripción	Info
030	96508460	COPPER GASKET 21,5X27 (1/2")	GUARNIZIONE A SEZ.RETT.A21,5X 27 (1/2")	KUPFERDICHTUNG 21,5 X 27 (1/2")	JOINT EN CUIVRE 21,5X27 (1/2")	JUNTA SECC. RECT. A21,5X 27 (1/2")	
031	19412004	"FASTER" CLUTCH 1/2"M	INNESTO RAPIDO TIPO "FASTER" 1/2" M	SCHNELLKUPPLUNG "FASTER" 1/2"M	EMBRAYAGE RAPID "FASTER" 1/2"M	EMBRAGUE RAPIDO "FASTER" 1/2" MACHO	
032	17115002	ROLLER CPL L=225	RULLO COMPATTATORE CPL L=225	FESTIGUNGSWALZE KPL L=225	ROOLEAU CPL L=225	RODILLO CPL L=225	
033	17115009	PLATE CPL ROLLER COMPATT. SX	STAFFA CPL SOSTEGNO RULLO COMPATT. SX	BUEGEL F. HALTER BEFESTIGUNGSWALZE LX	PLAQUE CPL ROOLEAU COMPATT. SX	TRABA CPL RODILLO COMPATT. SX	
034	17115008	PLATE CPL ROLLER COMPATT. DX	STAFFA CPL SOSTEGNO RULLO COMPATT. DX	BUEGEL F. HALTER BEFESTIGUNGSWALZE RX	PLAQUE CPL ROOLEAU COMPATT. DX	TRABA CPL RODILLO COMPATT. DX	
035	96603121	BOLT TE M18X 65 UNI 5737 8.8 ZN	VITE TE M18X 65 UNI 5737 8.8 ZN	SCHRAUBE TE M 18 X 65 UNI 5737 8,8 ZN	VIS TE M18X 65 UNI 5737 8.8 ZN	TORNILLO TE M18X 65 UNI 5737 8.8 ZN	
036	97095911	SMOOTH WASHER UNI 6592 - 18X34X3,0 ZN	ROSETTA PIANA UNI 6592- 18,0X34X3,0 ZN	GLATTE SCHEIBE UNI 6592 - 18X34X3 ZN	RONDELL.LISSE UNI 6592 - 18X34X3,0 ZN	ARANDELA PLANA UNI 6592- 18,0X34X3,0 ZN	
037	17915003	SUPPORT NSK-UKF 211 H	SUPPORTO NSK-UKF 211 + BUSSOLA CONICA H	LAGERHALTER NSK-UKF 211 + KEGELBUCHSE H	SUPPORT NSK-UKF 211	SUPPORT NSK-UKF 211	
038	97495331	WASHER ELSP ASA B- 27 - 18,2X29,4X3,5 ZN	ROSETTA ELSP ASA B-27- 18,2X29,4X3,5 ZN	SCHEIBE ELSP ASA B-27 - 18,2X29,4X3,5 ZN	RONDELLE ELS ASA B- 27 - 18,2X29,4X3,5 Z	ARANDELA ELSP ASA B-27- 18,2X29,4X3,5 ZN	
039	97972921	LOW.SELFBLOCK.NUT M 18-6S UNI7474	DADO AUTOBLOC.BASSO M18-6S UNI7474	SELBSTSICHER.MUTTER M18 -6S UNI7474 NIED.	ECROU AUTOSERR.M 18-6S UNI7474	TUERCA AUTO BLOQ. BAJA M 18-6S UNI7474	
040	96615621	BOLT TE M16X110 UNI 5737 8.8 ZN	VITE TE M16X110 UNI 5737 8.8 ZN	SCHRAUBE TE M 16 X 110 UNI 5737 8,8 ZN	VIS TE M16X110 UNI 5737 8.8 ZN	TORNILLO TE M16X110 UNI 5737 8.8 ZN	
042	97095711	SMOOTH WASHER UNI 6592 - 16X30X3,0 ZN	ROSETTA PIANA UNI 6592- 16,0X30X3,0 ZN	GLATTE SCHEIBE UNI 6592 - 16X30X3 ZN	RONDELL.LISSE UNI 6592 - 16X30X3,0 ZN	ARANDELA PLANA UNI 6592- 16,0X30X3,0 ZN	
042	97495231	WASHER ELSP ASA B- 27 - 16,2X27,4X3,5 ZN	ROSETTA ELSP ASA B-27- 16,2X27,4X3,5 ZN	SCHEIBE ELSP ASA B-27 - 16,2X27,4X3,5 ZN	RONDELLE ELS ASA B- 27 - 16,2X27,4X3,5 Z	ARANDELA ELSP ASA B-27- 16,2X27,4X3,5 ZN	
043	97972521	LOW.SELFBLOCK.NUT M 16-6S UNI7474	DADO AUTOBLOC.BASSO M16-6S UNI7474	SELBSTSICHER.MUTTER M16 -6S UNI7474 NIED.	ECROU AUTOSERR.M 16-6S UNI7474	TUERCA AUTO BLOQ. BAJA M 16-6S UNI7474	

**seppi m.
12-0001**



Pos.	Code	Description	Descrizione	Beschreibung	Description	Descripción	Info
001	17908009	PIN WITH PLATE D 19X 80 INT=45	PERNO CON GOCCIA D19X 80 INT=45	BOLZEN M.PLATTE D 19X 80 INT=45	GOUJON A.PLAQUE D 19X 80 INT=45	PERNO CON PLACA D 19X 80 INT=45	
002	97494931	WASHER ELSP ASA B- 27 - 10,2X18,1X2,2 ZN	ROSETTA ELSP ASA B-27- 10,2X18,1X2,2 ZN	SCHEIBE ELSP ASA B-27 - 10,2X18,1X2,2 ZN	RONDELLE ELS ASA B- 27 - 10,2X18,1X2,2 Z	ARANDELA ELSP ASA B-27- 10,2X18,1X2,2 ZN	
003	96607521	BOLT TE M 10X020 UNI 5739 8.8 ZN	VITE TE M10X 20 UNI 5739 8.8 ZN	SCHRAUBE TE M 10X20 UNI 5739 8.8 ZN	VIS TE M 10X020 UNI 5739 8.8 ZN	TORNILLO TE M10X 20 UNI 5739 8.8 ZN	
004	19412007	BOLT FOR COUPLING 1/4"	VITE X RACCORDO AD OCCHIO 1/4"	SCHRAUBE F. ANSCHLUSSSTUECK 1/4"	VIS POUR JOINT 1/4"	TORNILLO X EMPALME A OJO 1/4"	
005	96508160	COPPER GASKET 14 X 18 (1/4")	GUARNIZIONE A SEZ.RETT.A14 X 18 (1/4")	KUPFERDICHTUNG 14 X 18 (1/4")	JOINT EN CUIVRE 14 X 18 (1/4")	JUNTA SECC. RECT. A14 X 18 (1/4")	
006	19312004	ADAPTING COUPLING M 3/8"- F 1/4"	PROLUNGA M 3/8" - F 1/4" L=22	ANPASSUNGSSTUECK M 3/8"-F1/4"	JOINT ADAPTEUR M 3/8"- F1/4"	EMPALME DE REDUCCION M3/8"-F1/4" L=35	
007	96508360	COPPER GASKET 17 X 22 (3/8")	GUARNIZIONE A SEZ.RETT.A17 X 22 (3/8")	KUPFERDICHTUNG 17 X 22 (3/8")	JOINT EN CUIVRE 17 X 22 (3/8")	JUNTA SECC. RECT. A17 X 22 (3/8")	
008	17912008	HYDR. CYL. 60X30X200 + BLOCK. VALVE	CILINDRO HYD 60X30X200 (415-615) + VAL	HYDR. ZYL. 60 X 30 X 200 + STOPVENTIL	CYL.HYDR. 60X30X200 + VALVE DE BLOQ.	CILINDRO HIDR. 60X30X200 (415-615) + VAL	
010	97095111	SMOOTH WASHER UNI 6592 - 10,5X21X2,0 ZN	ROSETTA PIANA UNI 6592- 10,5X21X2,0 ZN	GLATTE SCHEIBE UNI 6592 - 10,5X21X2 ZN	RONDELL.LISSE UNI 6592 - 10,5X21X2,0 ZN	ARANDELA PLANA UNI 6592- 10,5X21X2,0 ZN	
011	17908029	PIN WITH PLATE D 19X 80 INT=28	PERNO CON GOCCIA D19X 90 INT=28	BOLZEN M.PLATTE D 19X 80 INT=28	GOUJON A.PLAQUE D 19X 80 INT=28	PERNO CON PLACA D 19X 90 INT=28	
012	96605121	BOLT TE M 08X035 UNI 5737 8.8 ZN	VITE TE M 8X 35 UNI 5737 8.8 ZN	SCHRAUBE TE M 8 X 35 UNI 5737 8.8 ZN	VIS TE M 08X035 UNI 5737 8.8 ZN	TORNILLO TE M 8X 35 UNI 5737 8.8 ZN	
013	97494834	WASHER ELSP ASA B- 27 - 08,2X14,8X2 N	ROSETTA ELSP ASA B-27- 8,2X14,8X2 N	SCHEIBE ELSP ASA B- 27 - 08,2X14,8X2 N	RONDELLE ELS ASA B- 27 - 08,2X14,8X2 N	ARANDELA ELSP ASA B-27- 8,2X14,8X2 N	
014	97094911	SMOOTH WASHER UNI 6592 - 08,4X16X1,6 ZN	ROSETTA PIANA UNI 6592- 08,4X16X1,6 ZN	GLATTE SCHEIBE UNI 6592 - 8,4X16X1,6 ZN	RONDELL.LISSE UNI 6592 - 08,4X16X1,6 ZN	ARANDELA PLANA UNI 6592- 08,4X16X1,6 ZN	
015	21012019	GALVANIZED HOSE SUPPORT	CAVALLOTTO FISSATUBI ZINCATO	VERZINKTE SCHLAUCHHALTERUNG	SUPPORT TUBE ZINGUE	SOPORTE GALVANIZADO PARATUBOS	
016	18012002	HOSE SAE 100R1ATDN1/4"X1000 O-F90	TUBO SAE R2ATDN 1/4"X 1000 F90°-O	SCHLAUCH SAE 100R1ATDN1/4"X1000 O-F90	TUBE SAE 100R1ATDN1/4"X1000 O-F90	TUBO SAE R2ATDN 1/4"X 1000 F90°-O	
017	48120022	COUPLING M 1/4	NIPPL M-M 1/4	NIPPL M-M 1/4"	JOINT M 1/4	EMPALME M 1/4	
018	17912004	ALUM.BLOC 4 VIE 1/4" 40X70	BLOCCO ALLUM.4 VIE 1/4 40X70	ALLUM. BLOCK 4-WEGE 1/4" 40X70	BLOC D'ALUM. 4 VIE 1/4" 40X70	BLOQUE ALUM. 4 VIE 1/4" 40X70	
019	17912006	PROTECTION SHEATH D. 32 L=2000	GUAINA DI PROTEZIONE D.35 L=2000	SCHUTZHUELLE D. 35 L=2000	GAINÉ DE PROT. D. 32 L=2000	VAINA PROTECCION D. 35 L=2000	
020	96606021	BOLT TE M 08X045 UNI 5739 8.8 ZN	VITE TE M 8X 45 UNI 5739 8.8 ZN	SCHRAUBE TE M 8 X 45 UNI 5739 8.8 ZN	VIS TE M 08X045 UNI 5739 8.8 ZN	TORNILLO TE M 8X 45 UNI 5739 8.8 ZN	
021	19412002	HOSE SAE 100R2ATDN1/4"X2200 O/FD	TUBO SAE R2ATDN 1/4"X 2200 FD -O	SCHLAUCH SAE 100R2ATDN1/4"X2200 O/FD	TUBE SAE 100R2ATDN1/4"X2200 O/FD	TUBO SAE R2ATDN 1/4"X 2200 FD -O	
022	19412009	OIL CAP 1/2"-1/4"	NIPPL DI RIDUZIONE M-M 1/4"-1/2"	REDUZIERNIPPL 1/2"-1/4"	TUBULURE 1/2"-1/4"	EMPALME REDUCTOR M-M 1/4"-1/2"	
023	96508460	COPPER GASKET 21,5X27 (1/2")	GUARNIZIONE A SEZ.RETT.A21,5X 27 (1/2")	KUPFERDICHTUNG 21,5 X 27 (1/2")	JOINT EN CUIVRE 21,5X27 (1/2")	JUNTA SECC. RECT. A21,5X 27 (1/2")	
024	19412004	"FASTER" CLUTCH 1/2"M	INNESTO RAPIDO TIPO "FASTER" 1/2" M	SCHNELLKUPPLUNG "FASTER" 1/2"M	EMBRAYAGE RAPID "FASTER" 1/2"M	EMBRAGUE RAPIDO "FASTER" 1/2" MACHO	